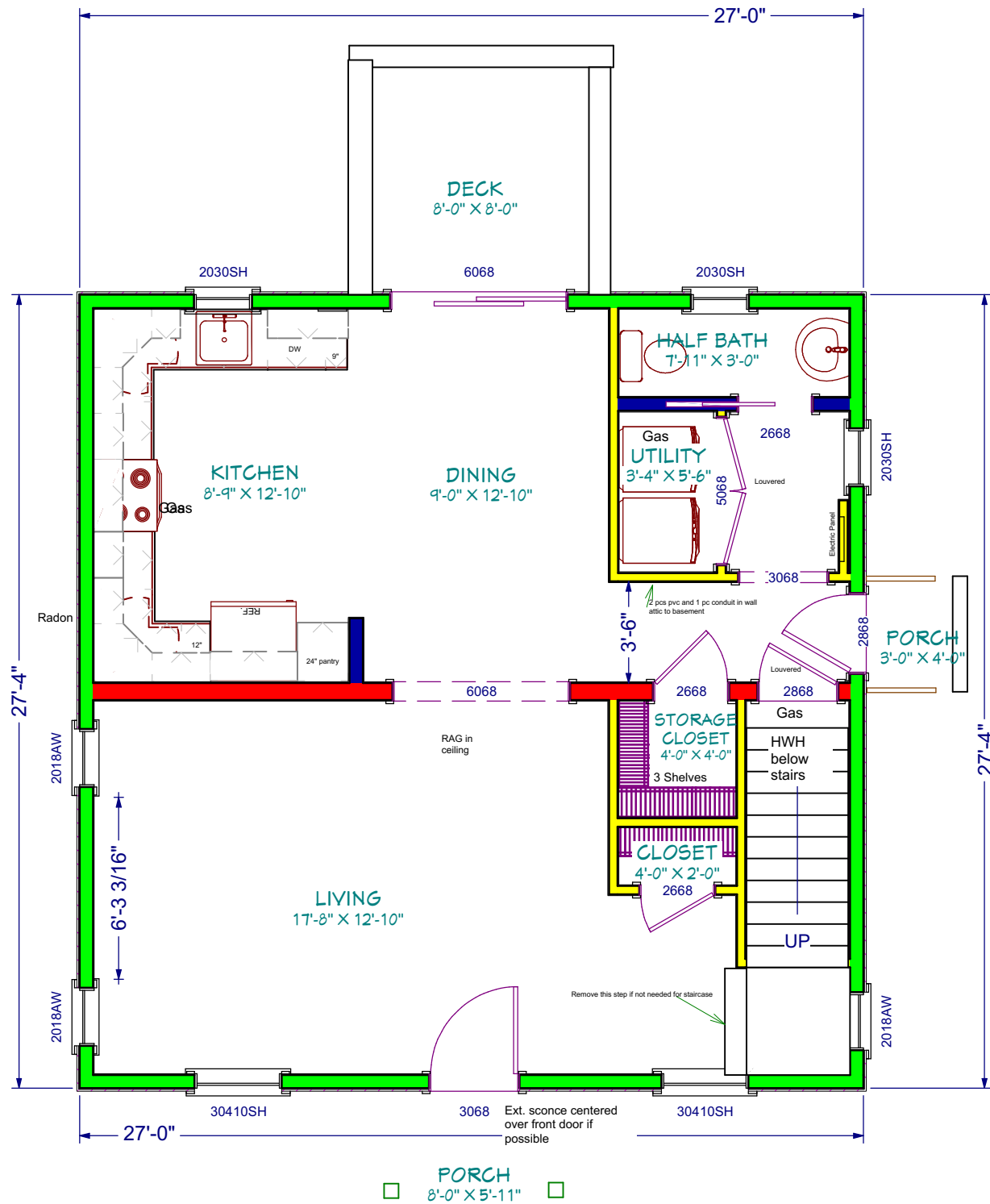
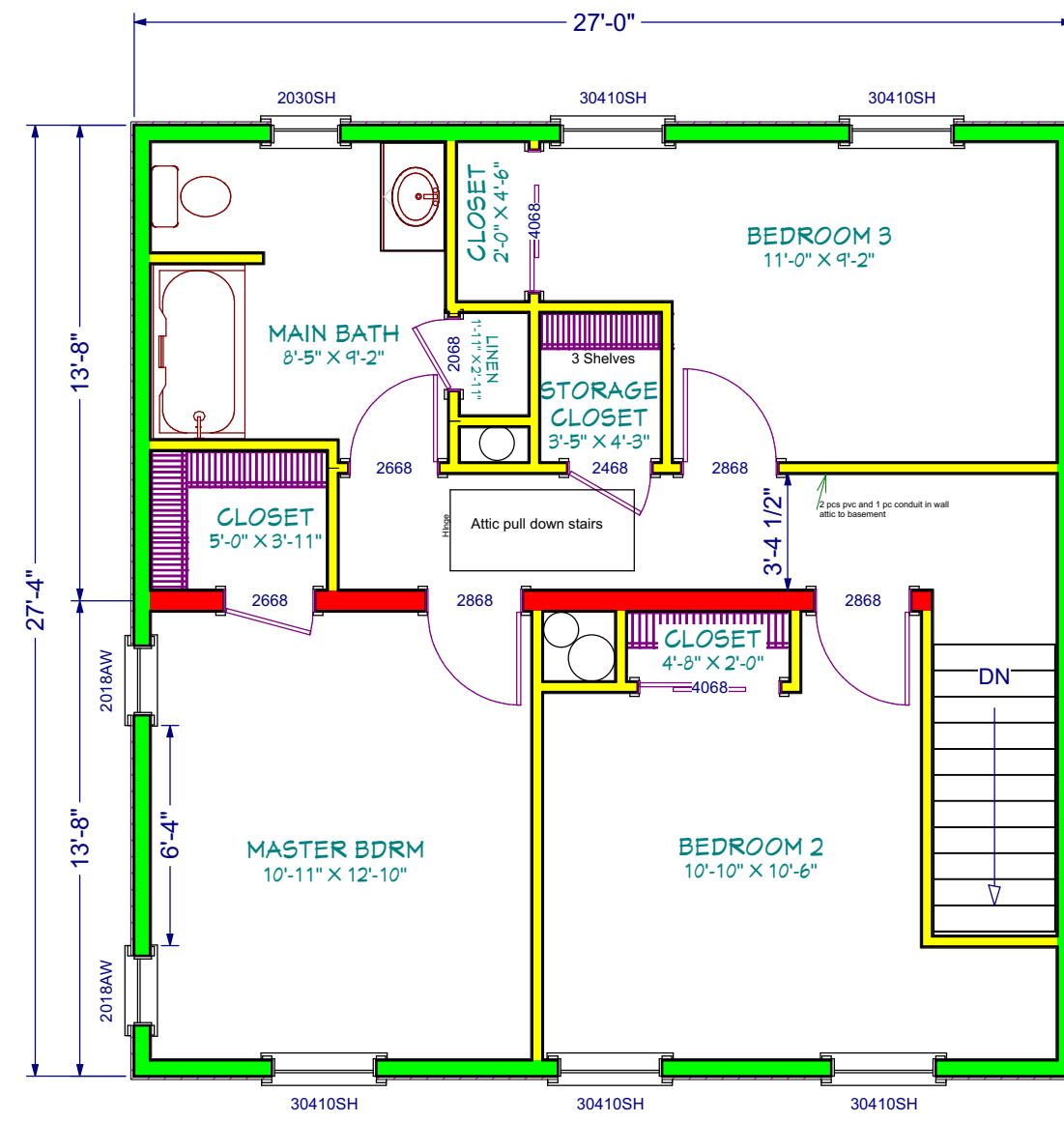


# Custom 2 Story Argyle Habitat-HFHBMC Model - 1,476 sf - 3 Bedrooms 1.5 Baths - \$219,200.00

First Floor



Second Floor



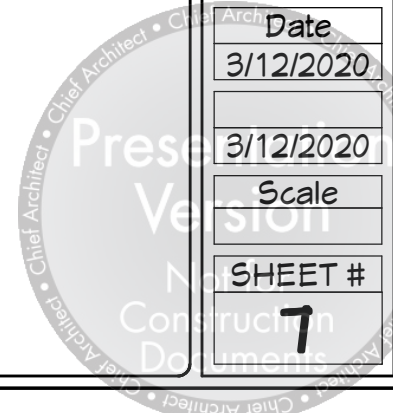
Pilings, foundation, deck support, spans, etc. are determined by an Engineer or Architect. Images shown are for visualization purposes only.



Project Description:  
Habitat- HFHBMC  
Custom Argyle Plan

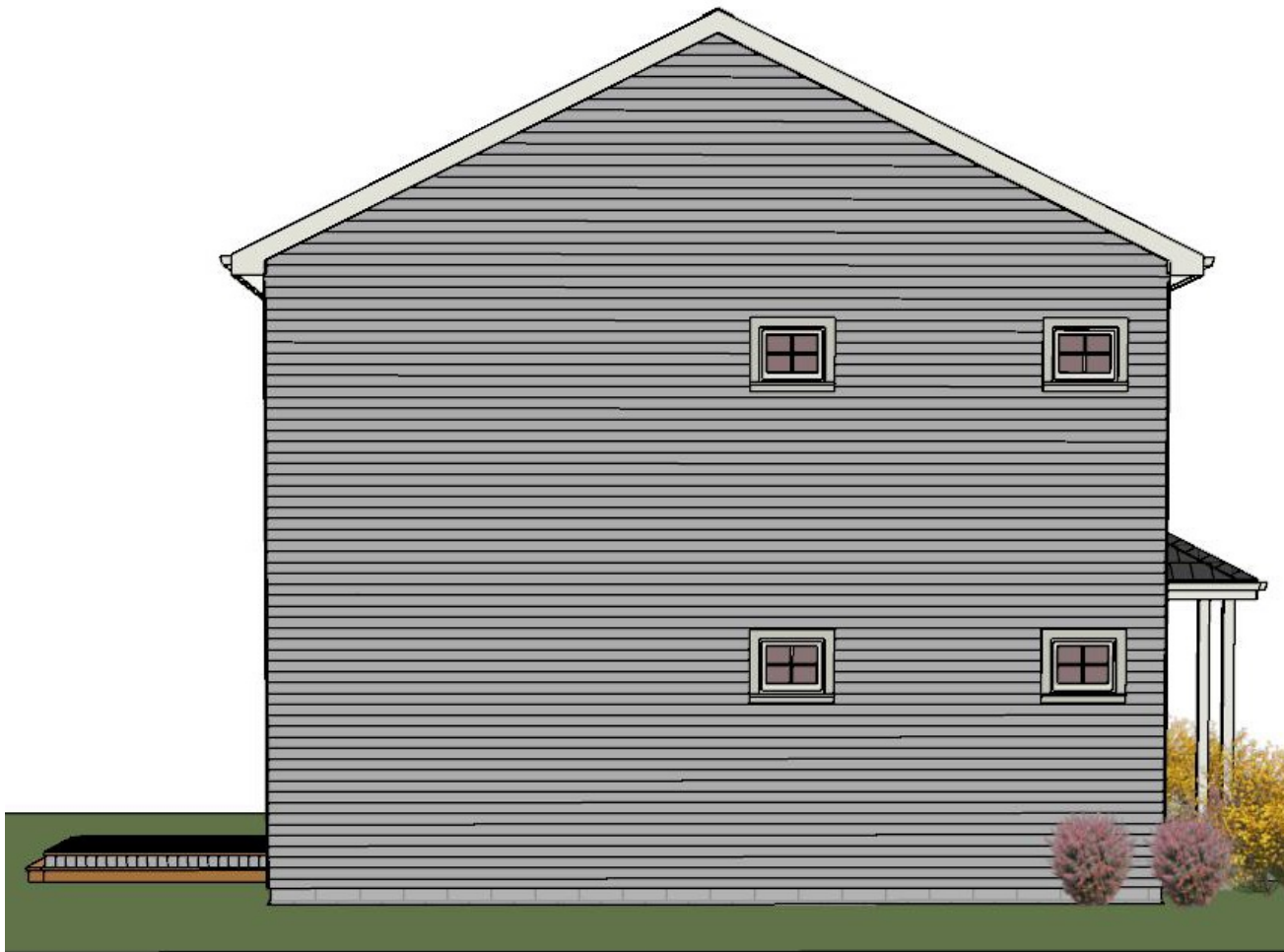
Drawings Provided By:  
Phoenix Custom Homes  
DMR Custom Builders, LLC  
Designer: Pam Zullo

Date	3/12/2020
Scale	3/12/2020
SHEET #	7





Site built porches and decks by Habitat



Pilings, foundation, deck support, spans, etc. are determined by an Engineer or Architect. Images shown are for visualization purposes only.



Project Description:  
**Habitat- HFHBMG**  
**Custom Argyle Plan**

Drawings Provided By:  
 Phoenix Custom Homes  
 DMR Custom Builders, LLC  
 Designer: Pam Zullo

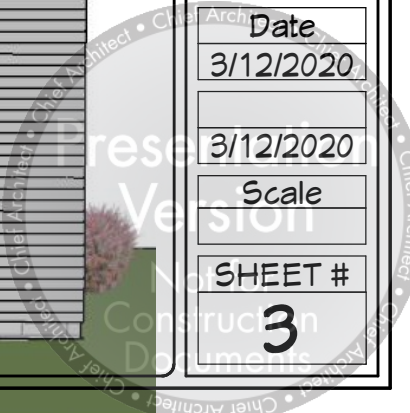
Date  
 3/12/2020

3/12/2020

Scale

SHEET #

3







Pillings, foundation, deck support, spans, etc. are determined by an Engineer or Architect. Images shown are for visualization purposes only.



Project Description:  
**Habitat- HFHBMG**  
**Custom Argyle Plan**

Drawings Provided By:  
 Phoenix Custom Homes  
 DMR Custom Builders, LLC  
 Designer: Pam Zullo

Date  
 3/12/2020

3/12/2020

Scale

SHEET #

**5**

