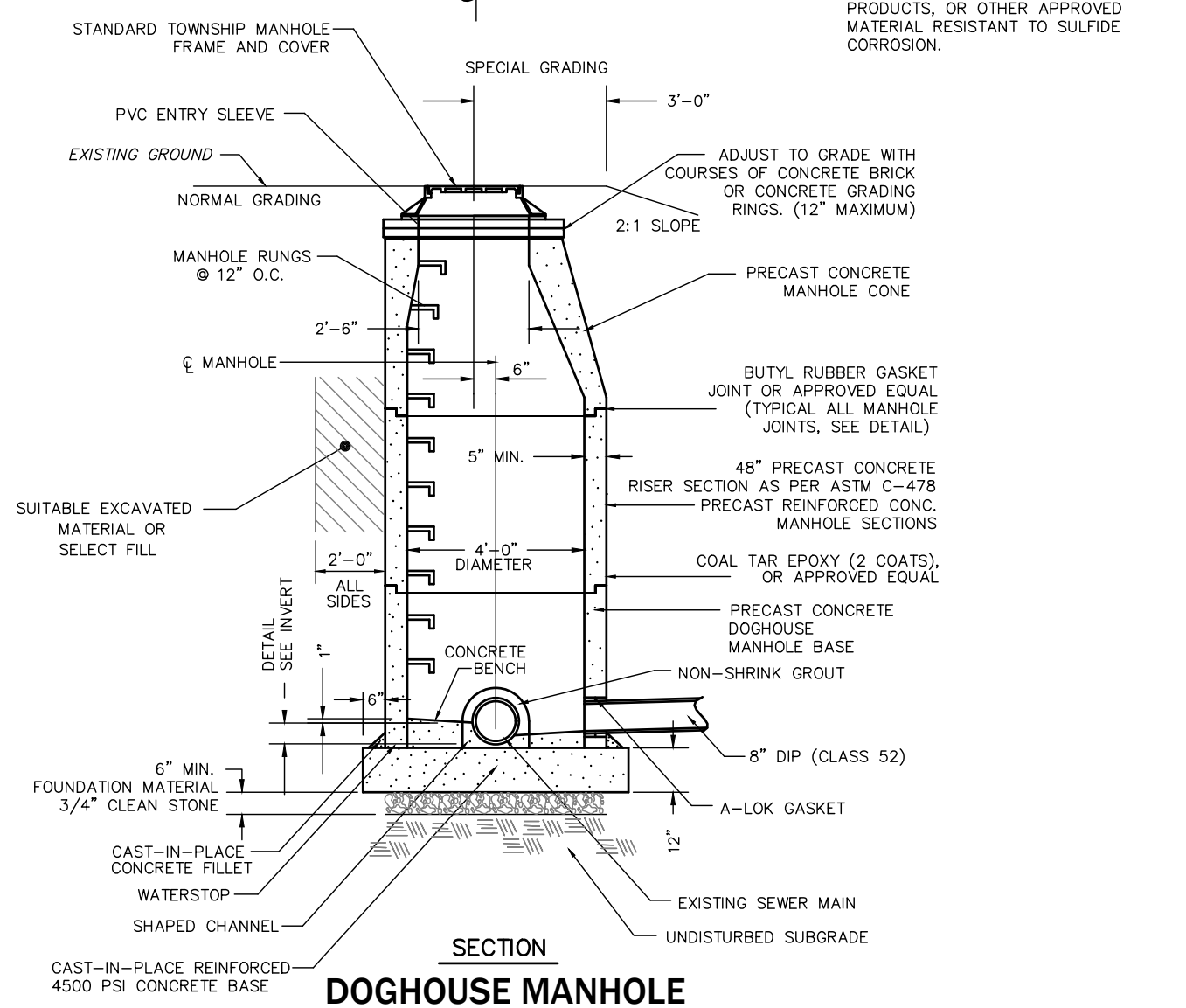
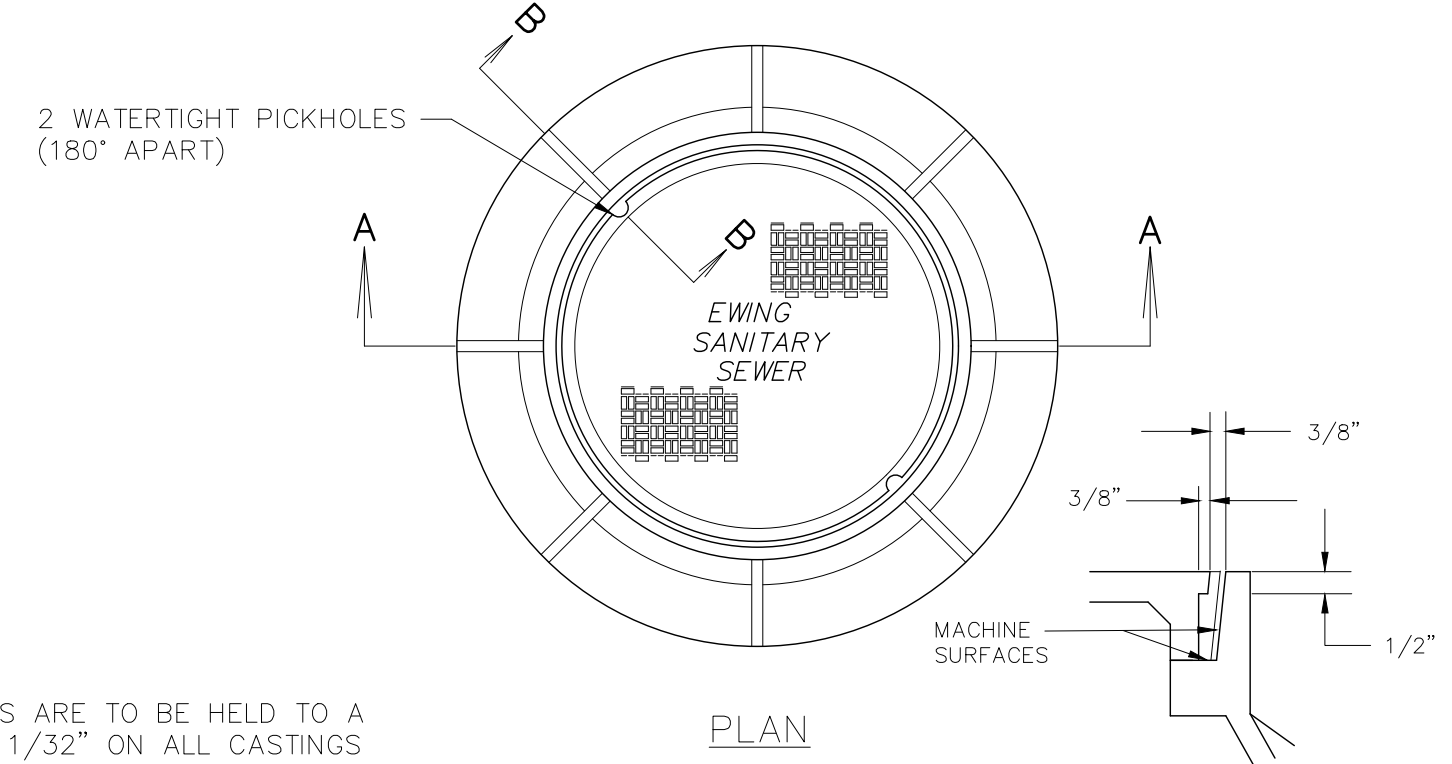


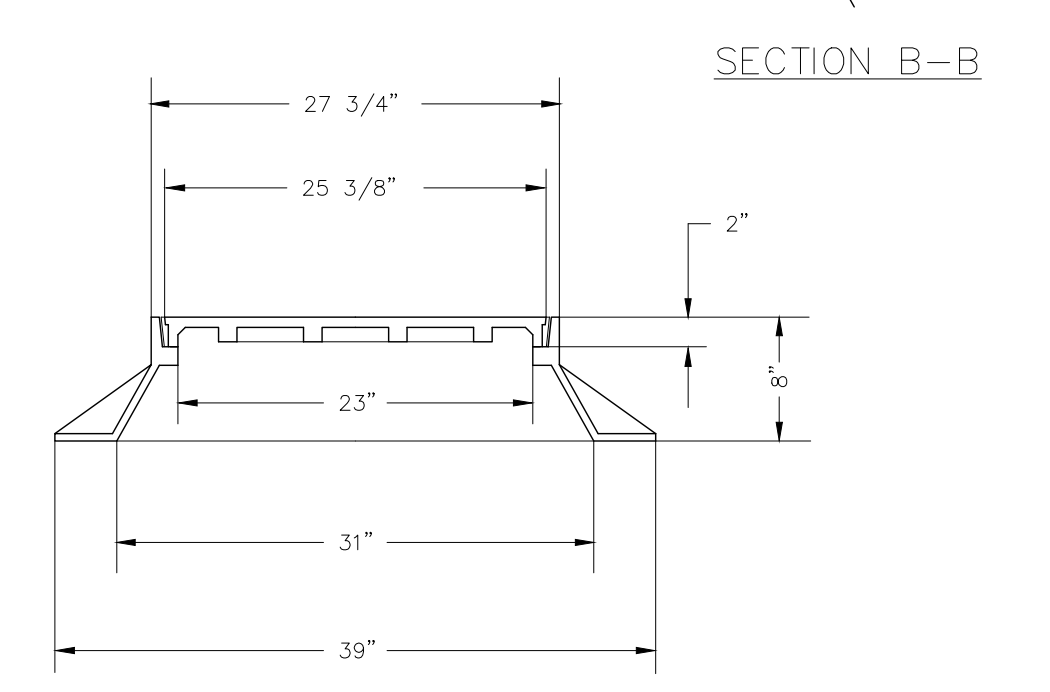
- NOTES:
- SPECIAL GRADING TO BE USED WHERE TOP OF MANHOLE PROTRUDES ABOVE ORIGINAL GRADE.
  - TOE OF SLOPE SHALL NOT EXTEND BEYOND EASEMENT LINE.
  - SPECIAL GRADING IS SYMMETRICAL AROUND CENTER LINE OF MANHOLE COVER.
  - ALL PRECAST STRUCTURES SHALL MEET HS 20 LOADING REQUIREMENTS AND SHALL CONFORM WITH N.J.D.O.T. STANDARD SPECIFICATIONS FOR ROAD AND BRIDGE CONSTRUCTION.
  - SUBMIT SHOP DRAWINGS FOR APPROVAL.
  - MANHOLES TO WHICH FORCE MAINS ARE CONNECTED SHALL BE LINED WITH SUBA-PLATE 100 P.V.C. LINER AND BE PROVIDED WITH WATER-LOK CONNECTOR PRODUCTS OR OTHER APPROVED MATERIAL RESISTANT TO SULFIDE CORROSION.



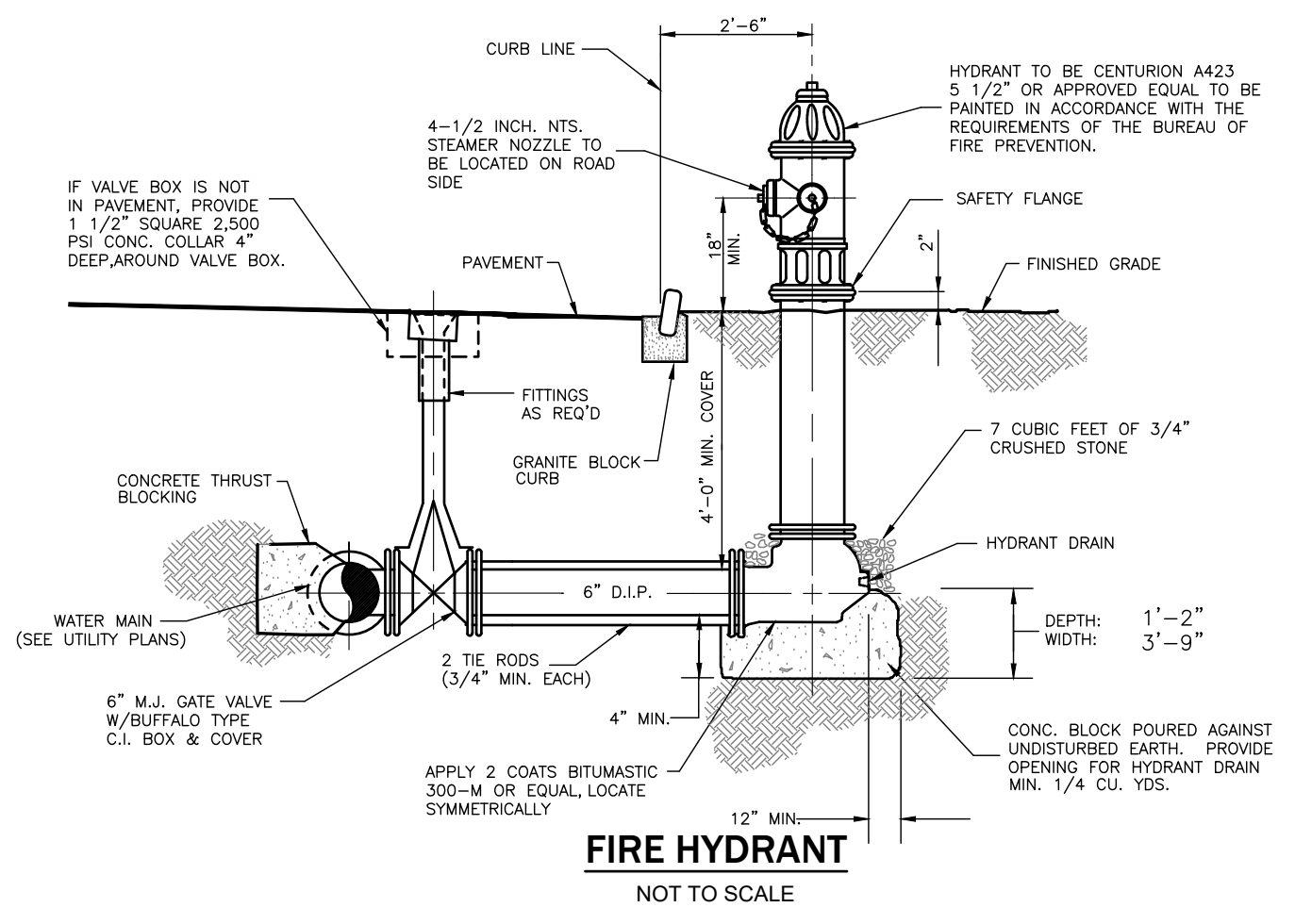
**DOGHOUSE MANHOLE**  
NOT TO SCALE



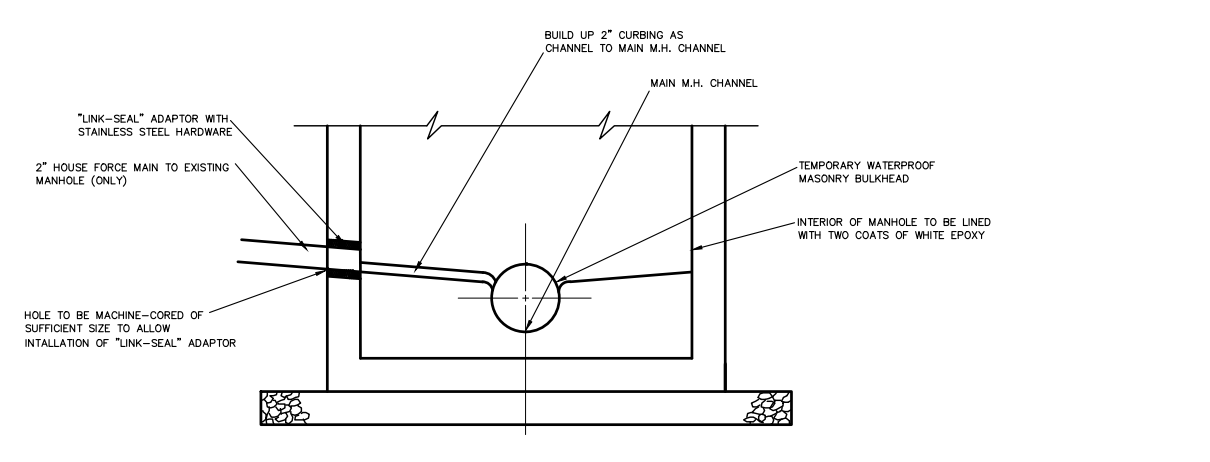
- NOTES:
- ALL DIMENSIONS ARE TO BE HELD TO A TOLERANCE OF 1/32" ON ALL CASTINGS TO PERMIT INTERCHANGING OF PARTS
  - CASTINGS SHALL BE DIPPED IN "ASPHALTUM" PAINT
  - CAMPBELL FOUNDRY #1202B OR EQUAL MIN. WT. #25# WITH FLOW SEAL LID
  - SUBMIT SHOP DRAWINGS FOR APPROVAL
  - MANHOLE NUMBERS SHALL BE INDICATED ON CASTINGS, IN A MANNER ACCEPTABLE TO THE AUTHORITY'S ENGINEER.



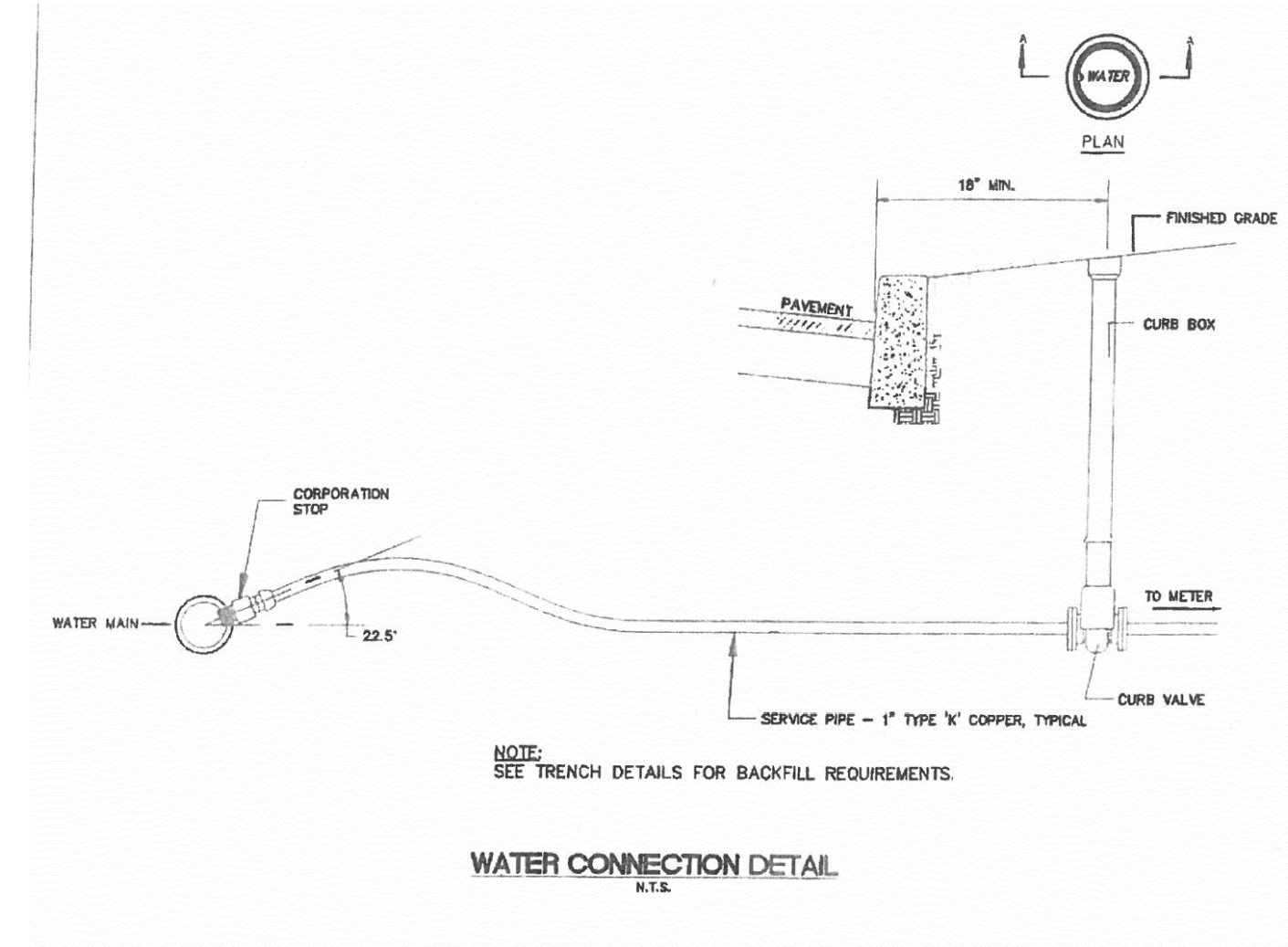
**STANDARD FRAME AND COVER**  
N.T.S.



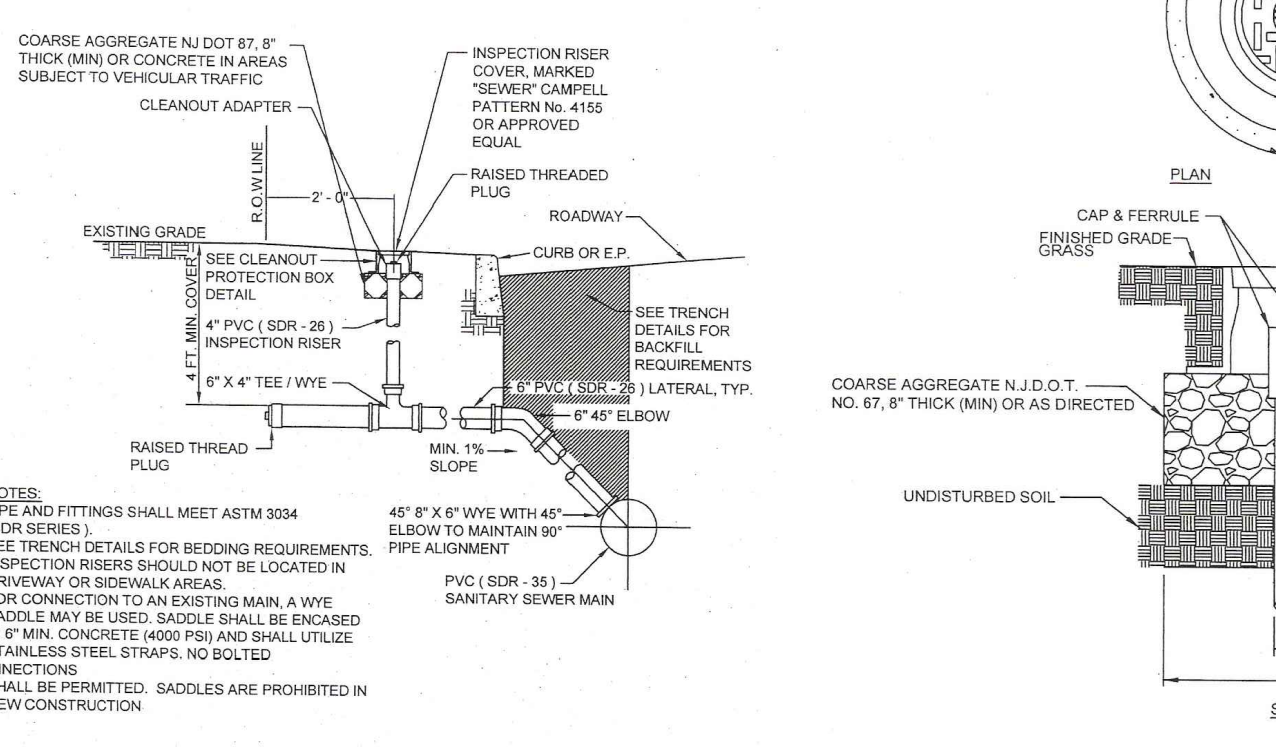
**FIRE HYDRANT**  
NOT TO SCALE



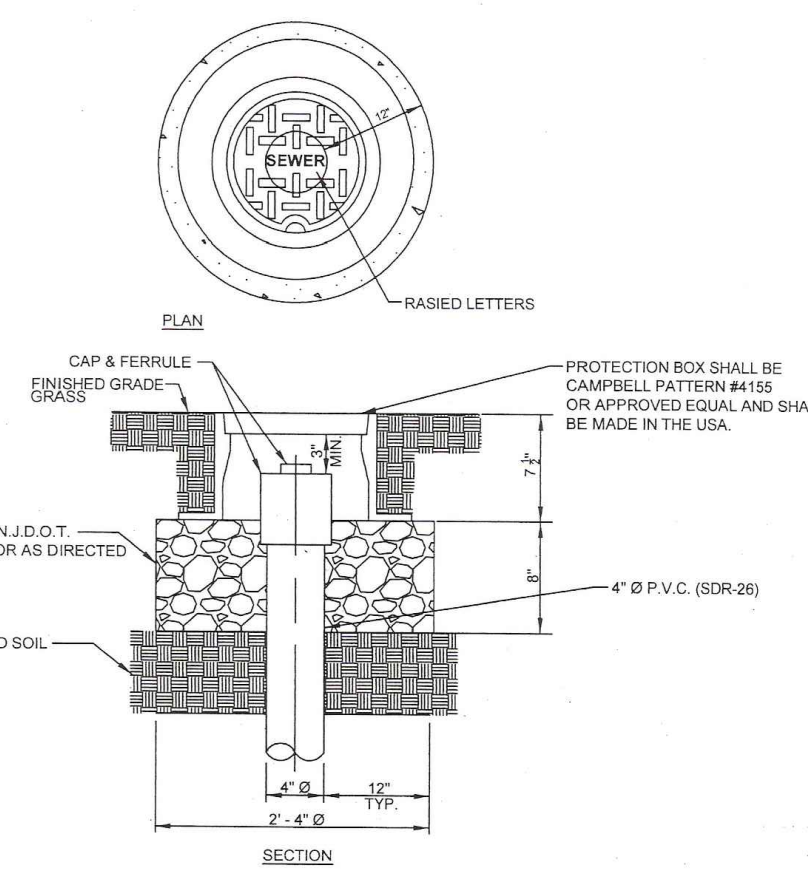
**HOUSE FORCE MAIN AT MANHOLE**  
NOT TO SCALE



**WATER CONNECTION DETAIL**  
N.T.S.



**SERVICE LATERAL CONNECTION**  
N.T.S.



**CLEANOUT PROTECTION BOX, IN UNPAVED AREA**  
N.T.S.

NO.	DESCRIPTION	DATE	D/W/C

**CREST**  
Engineering Associates Inc.  
Civil & Environmental Engineers  
Professional Planners • Surveyors • Landscape Architects  
• CERTIFICATE OF AUTHORIZATION NO. 24CA27989300 •

100 RIKE DRIVE  
MILLSBORO, NJ 08255  
PH: (609) 448-5250

12 ROBENS PIKEY  
AT WATER STREET  
TOWNSHIP, NJ 08253  
PH: (732) 244-0888

**LORALI E. TOTTEN**  
PROFESSIONAL ENGINEER N.J. LIC. NO. 28662

DATE	10/21/21
SCALE	AS SHOWN
DRAWN	
CHECKED	
SHEET	8 of 8
POCKET	

PRELIMINARY & FINAL MAJOR SITE PLAN  
**LOT 25  
BLOCK 364.01**  
( TAX MAP SHEET No.57 )  
TOWNSHIP OF EWING  
MERCER COUNTY, NEW JERSEY

**SANITARY AND WATER  
DETAILS**